



Manufacturer of shut-off and control valves

TECHNICAL DATA SHEET

**Ball valve ELEPHANT BV3232P(2pc)-FP-T-H DN8-100
63/40 bar stainless steel, full bore, threaded, with handle**



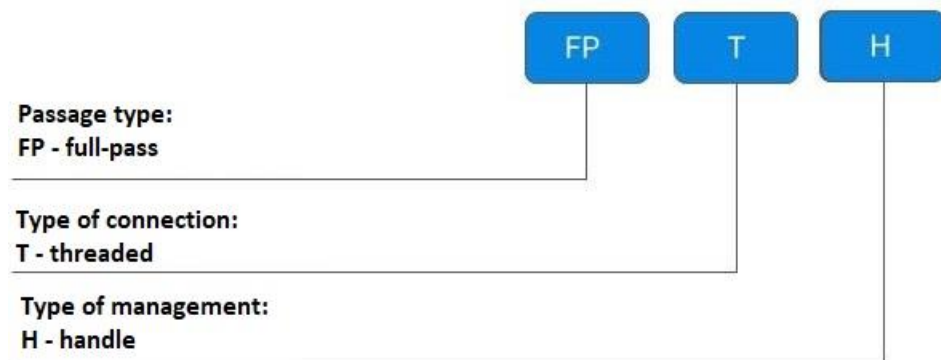
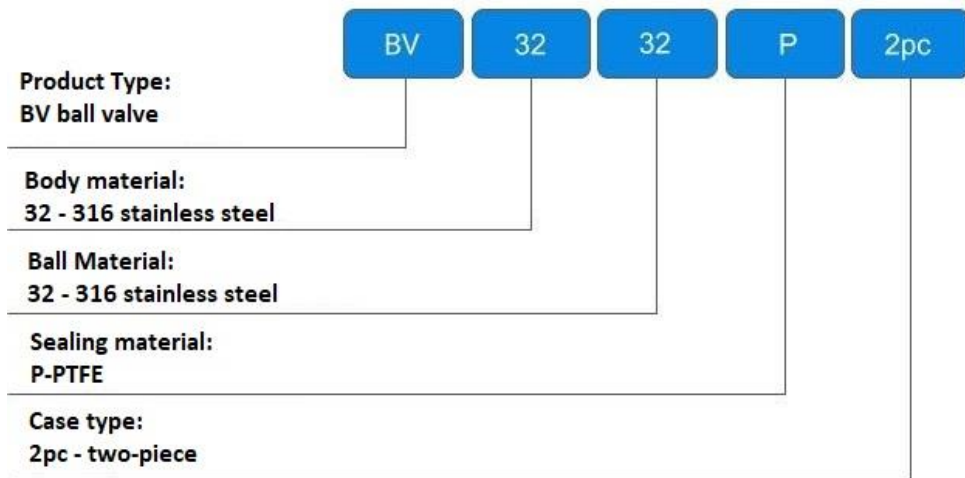
+34 900 433 073, sales@valveelephant.com
Carrer d'Aragó, 264, 3-1, 08007 Barcelona, Spain

1. GENERAL INFORMATION ABOUT THE PRODUCT

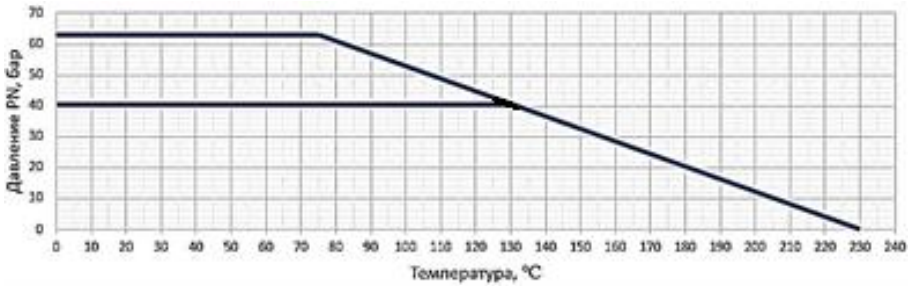
- 1.1. Product Name: Ball valve ELEPHANT BV3232P(2pc)-FP-T-H DN8-100 63/40 bar stainless steel, full bore, threaded, with handle.
- 1.2. Purpose: The ball valve is used as a shut-off valve in heat and water supply systems, in steam, fuel and pneumatic systems with compressed air and neutral gases. Installation of valves of this series is possible in systems transporting liquid and gaseous media (water, oil, oils, steam, air, alcohols, glycol, etc.), non-aggressive to the materials of the valve. The use of ball valves as control valves is not allowed.



1.3. Deciphering the designation:



TEMPERATURE-PRESSURE DIAGRAM



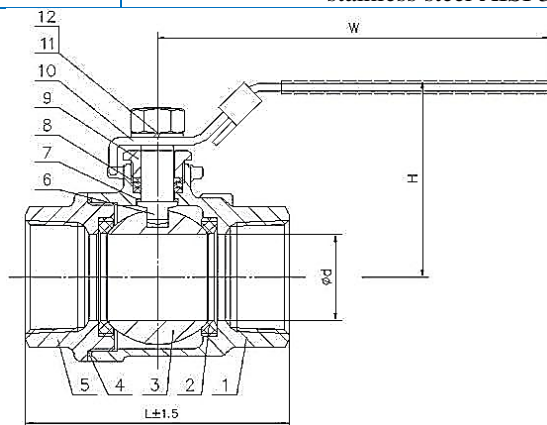
BASIC TECHNICAL DATA AND CHARACTERISTICS

Nominal diameter DN, mm	8 –100
Nominal pressure PN, bar	DN8÷50 – 63 DN65÷100 – 40
Maximum medium temperature t, °C	up to +230
Ambient temperature, °C	от -29 до +200
Tightness in the gate	A
Working medium	water, steam, oil products and other liquid or gaseous media neutral to the materials used
Connection to pipeline	threaded
Control type	manual (handle)
Ball passage	full bore
Internal thread	BSP
Body material	stainless steel CF8M/SS 316
Ball material	stainless steel AISI 316
Average service life, years	3
Average service life, cycles open/close	100 000 (at non-aggressive environment and average pressure and temperature values)



MATERIAL INFORMATION FOR MAJOR PARTS

Nº	Name	Material
1	Body	stainless steel CF8M/SS 316
2	Seat	PTFE
3	Ball	stainless steel AISI 316
4	Gasket	PTFE
5	Body cap	stainless steel CF8M/SS 316
6	Stem	stainless steel AISI 316
7	Stem washer	PTFE
8	Gland	PTFE
9	Gland cover	stainless steel AISI 304
10	Handle	Steel + PVC
11	Spring washer	stainless steel AISI 304
12	Nut	stainless steel AISI 304



BASIC CRANE DIMENSIONS

DN, mm	8	10	15	20	25	32	40	50	65	80	100
	1/4"	3/8"	1/2"	3/4"	1"	1 1/4"	1 1/2"	2"	2 1/2"	3"	4"
D, mm	9.2	10	14.5	19	24	30	37	47	61	76	94
H, mm	41.5	42.7	47.7	56	68	72.3	85	90.8	115.3	125.8	155.5
W, mm	76	76	85	95	120	120	150	150	215	215	300
L, mm	42	43.7	52	61	72	84	94	115	142	165	215
Stem	7x7	7x7	9x9	9x9	11x11	11x11	14x14	14x14	17x17	17x17	22x22
ISO flange	F03	F03	F03	F03	F05	F05	F07	F07	F07	F10	F10
Weight, kg	0.13	0.14	0.22	0.32	0.54	0.80	1.26	1.69	3.52	5.12	10.46



INSTALLATION AND OPERATION

1. Valves may be installed on pipelines in any position that allows easy operation and access to the manual actuator.
2. Before installing the valve, the pipeline must be cleaned of dirt, sand, scale, etc.
3. In accordance with the procedure established by the company, the fitting must not be subjected to loads from the pipeline (bending, compression, tension, torsion, misalignment, vibration, misalignment of spigots, uneven tightening of fasteners). If necessary, supports or compensators should be provided to reduce the load on the valve from the pipeline.
4. The misalignment of the connected pipelines shall not exceed 3mm for a length of up to 1m plus 1mm for each subsequent meter.
5. The cranes must be operated under the conditions set out in this data sheet.

It is strictly forbidden to allow the working medium to freeze inside the valve. When draining the system in winter, the valve must be left half-open so that the working medium does not remain in the cavities behind the valve gate.



WARRANTY PERIOD

Warranty period - 12 months from the date of commissioning, but not more than 18 months from the date of sale.

The warranty does not apply:

- parts and materials of the product subject to wear and tear;
- for cases of damage caused by:
 - violations of the product storage, installation, testing, operation and maintenance specifications;
 - improper transportation and handling operations;
 - the presence of traces of exposure to substances aggressive to the product materials;
 - presence of damage caused by fire, elements, force majeure circumstances;
 - damage caused by incorrect actions of the consumer;
 - traces of tampering with the design of the product.

SALES MARK

Nº	Name	Packs

Date of Sale: _____

L.S.

