



Manufacturer of shut-off and control valves

TECHNICAL DATA SHEET

**Ball valve ELEPHANT BV3232P(2pc)-FP-T-ISO-H
DN10-100 63/40 bar stainless steel, full bore
threaded, with ISO flange and handle**



+34 900 433 073, sales@valveelephant.com
Carrer d'Aragó, 264, 3-1, 08007 Barcelona, Spain

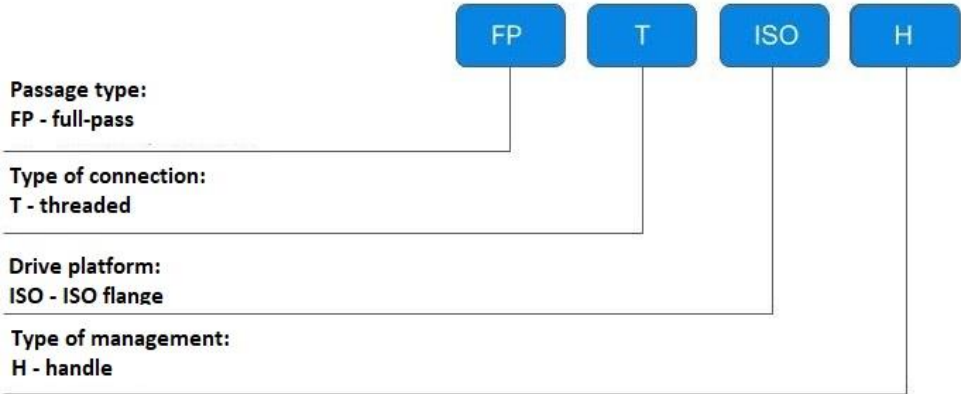
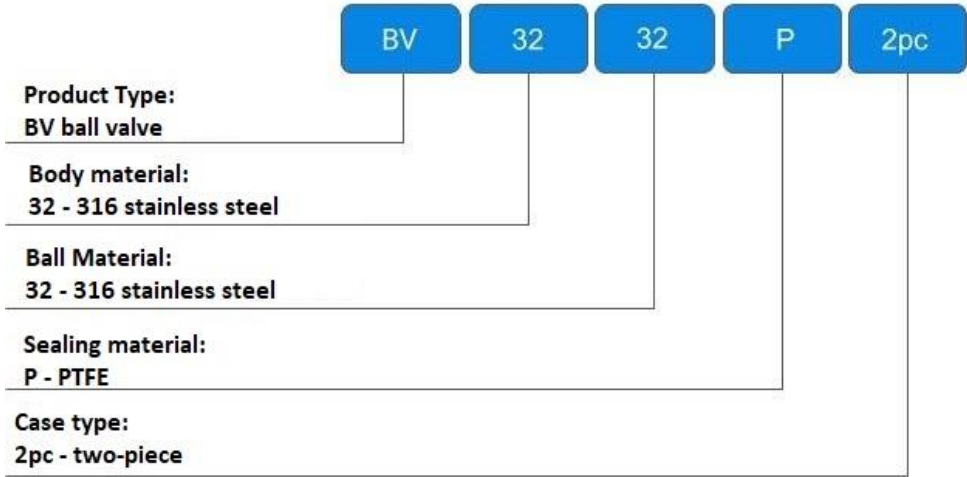
1. GENERAL INFORMATION ABOUT THE PRODUCT

Product Name: Ball valve ELEPHANT BV3232P(2pc)-FP-T-ISO-H DN10-100 63/40 bar stainless steel, full bore, threaded, with ISO flange and handle.

Purpose: Ball valves are used as shut-off valves in heating, water supply systems, in steam, fuel and pneumatic systems with compressed air and neutral gases. Installation of valves of this series is possible in systems transporting liquid and gaseous media (water, oil, oils, steam, air, alcohols, glycol, etc.), non-aggressive to the materials of the valve. The use of ball valves as control valves is not allowed.



Deciphering of the designation:



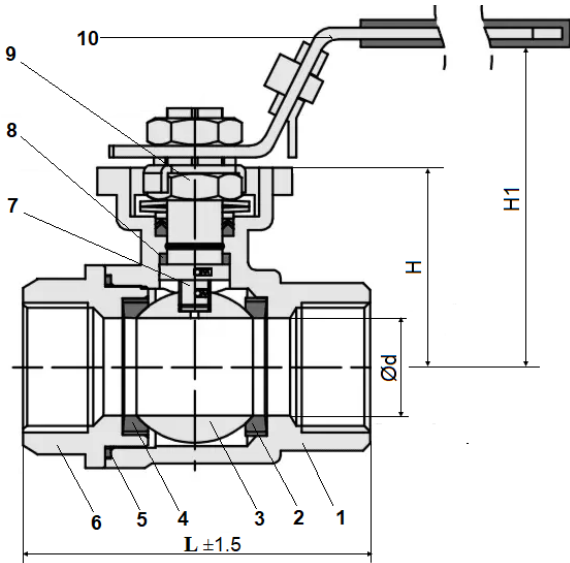
BASIC TECHNICAL DATA AND CHARACTERISTICS

Nominal diameter DN, mm	10 – 100
Nominal pressure PN, bar	DN10÷50 – 63 DN65÷100 – 40
Maximum medium temperature t, °C	Up to +230
Tightness in the gate	A
Working medium	water, steam, oil products and other liquid or gaseous media neutral to the materials used
Connection to pipeline	threaded
Control type	manual (lever handle)
Ball passage	full bore
Female thread	BSP

MATERIAL INFORMATION FOR MAJOR PARTS

Nº	Name	Material	Nº	Name	Material
1, 6	Body	Steel 316	7	Stem	Steel 316
2, 4	Ball seal	PTFE	8	Stem seal	VITON
3	Ball	Steel 316	9	Stem nut	Steel 316
5	Sealing ring	PTFE	10	Handle	stainless steel





BASIC CRANE DIMENSIONS

DN	Ød	L	H	H1	Stem	Thread	ISO flange	Torque	Weight
			mm			inch		Nm	kg
10	10	63	34	68	9x9	3/8"	F03, F04	3,5	0,435
15	15	58	37	68	9x9	1/2"	F03, F04	4,5	0,40
20	20	66	40	75	9x9	3/4"	F03, F04	7,0	0,53
25	24	72	54	88	11x11	1"	F04, F05	8,5	0,930
32	32	83	60	94	11x11	1 1/4"	F04, F05	14,5	1,195
40	38	95	70	118	14x14	1 1/2"	F05, F07	21	1,710
50	49	110	68	125	14x14	2"	F05, F07	28	2,22
65	64	147	94.5	143	17x17	2 1/2"	F07, F10	51	4,485
80	76	169	103.5	152	17x17	3"	F07, F10	86	5,97
100	98	204	122	169	19x19	4"	F07, F10	121	8,835



INSTALLATION AND OPERATION

1. Valves may be installed on pipelines in any position that provides ease of operation and access to the manual actuator.
2. Before installing the valve the pipeline must be cleaned of dirt, sand, scale, etc.
3. In accordance with the procedure established by the company, the fitting must not be subjected to loads from the pipeline (bending, compression, tension, torsion, misalignment, vibration, misalignment of spigots, uneven tightening of fasteners). If necessary, supports or compensators should be provided to reduce the load on the valve from the pipeline.
4. The cranes must be operated under the conditions set out in the table of technical characteristics.

It is strictly forbidden to allow the working medium to freeze inside the valve. When draining the system in winter, the valve must be left half-open so that the working medium does not remain in the cavities behind the gate.



WARRANTY PERIOD

Warranty period - 12 months from the date of commissioning, but not more than 18 months from the date of sale.

The warranty does not apply:

- parts and materials of the product subject to wear and tear
- for cases of damage caused by:
 - violations of the product storage, installation, testing, operation and maintenance specifications;
 - improper transportation and handling operations;
 - the presence of traces of exposure to substances aggressive to the product materials;
 - presence of damage caused by fire, elements, force majeure circumstances;
 - damage caused by incorrect actions of the consumer;
 - traces of tampering with the design of the product.

SALES MARK

No.	Product Name	Packs

Date of Sale: _____

L.S.

