



Manufacturer of shut-off and control valves

TECHNICAL DATA SHEET

**Gate valve ELEPHANT
GVKRxxx-1W-Fb-S DN50-300 10 bar
stainless steel, interflanged
with hand wheel**



+34 900 433 073, sales@valveelephant.com
Carrer d'Aragó, 264, 3-1, 08007 Barcelona, Spain

1. GENERAL PRODUCT INFORMATION

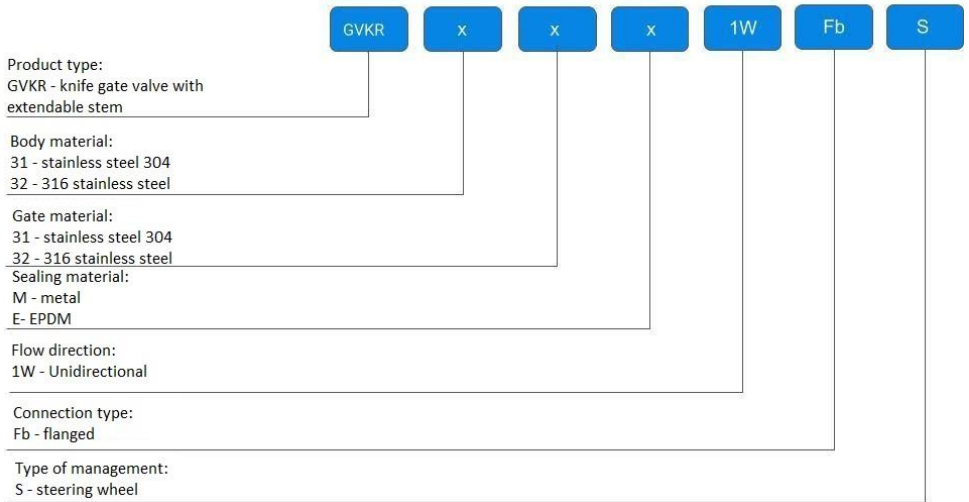
1.1. Product name: Gate valve ELEPHANT GVKRxxx-1W-Fb-S DN50-300 10 bar stainless steel, interflanged with hand wheel.

1.2. Purpose: The gate valve is designed for installation on the pipeline as a shut-off device in water treatment systems and chemical industry.

1.3. Operating principle: The gate valve (gate valve) is made in the form of a shield with a ring with a hole in the lower part equal to the passage diameter, which is displaced downwards when the gate valve is closed. The passage is blocked by the blind part of the gate valve. Tightness of the passage is ensured by pressing the gate valve by the medium pressure against the sealing surfaces of the seat on the low-pressure side.



1.4. Deciphering of the designation:



2. BASIC TECHNICAL DATA AND CHARACTERISTICS

Table 1

Nominal diameter DN, mm	50 - 300
Working pressure, bar	10
Media temperature t, °C	EPDM seal -10 to +110 METAL seal -10 to +400
Ambient temperature, °C	-45 to +50
Media	seal steel 304 - wastewater, slurry, viscous, powdery and crystallized media, acids seal EPDM - water, slightly contaminated liquids with suspended solids content up to 5%
Flow direction	unilateral
Tightness class	seal steel 304 - B seal EPDM - A
Type of control	handwheel
Pipeline connection	interflange
Body material	stainless steel AISI 304/ or stainless steel AISI 316
Gate material	stainless steel AISI 304/ or stainless steel AISI 316
Areas of application	heating and water supply systems; industrial pipelines



3. BASIC MATERIALS

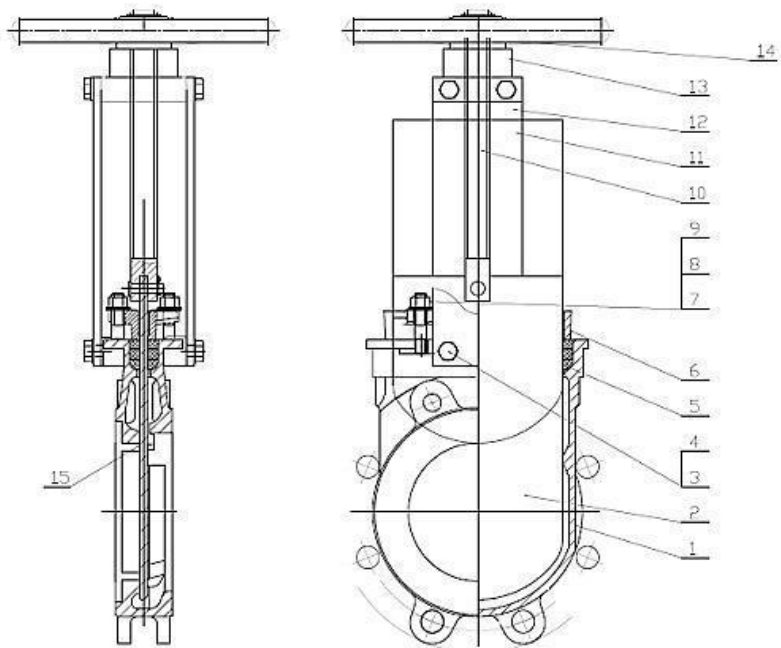


Table 2

Nº	Part name	Material
1	Body	steel 304/316
2	Schieber	steel 304/316
3-4	Bolt / nut	steel 304
5	Packing	PTFE + graphite
6	Gland	steel 304
7-9	Bolt / washer / nut	steel 304
10	Stem	steel 304
11	Bracket	steel A3
12	Main bracket	steel A3
13	Bearing	ZChSnSb10-6
14	Handwheel	cast iron GGG40
15	Seal	steel 304 / EPDM



4. WEIGHT AND DIMENSIONAL PARAMETERS

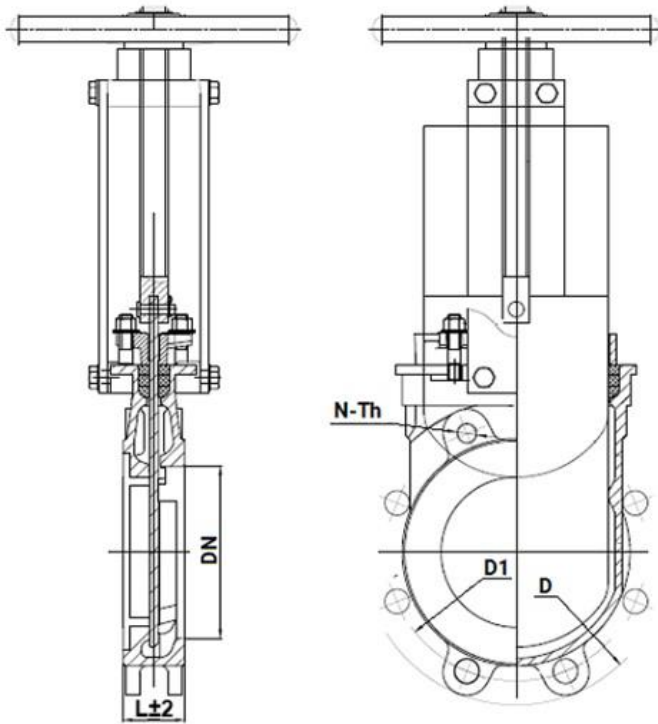


Table 3

DN	L, mm	D, mm	D1, mm	N - Th	Weight, kg
50	48	160	125	4 – M16	8
65	48	180	145	4 – M16	11
80	51	195	160	8 – M16	12
100	51	215	180	8 – M16	15
125	57	245	210	8 – M16	24
150	57	280	240	8 – M20	35
200	70	335	295	8 – M20	50
250	70	390	350	12 – M20	64
300	76	440	400	12 – M20	80



5. INSTALLATION AND OPERATING INSTRUCTIONS

5.1. To installation, operation and maintenance of gate valves are allowed personnel who have studied the device of the gate valve, safety rules, requirements of the manual for installation, adjustment, operation and maintenance, certified for the relevant type of work.

5.2. Gate valves should be installed on pipelines for media and parameters specified in the product passport.

5.3 Before installation it is necessary to remove the plugs and make the gate valve preservation with a clean rag moistened with white spirit, gasoline or other, blow out the inner surface with clean air (in accordance with the order established at the enterprise). The pipeline should be thoroughly cleaned from dirt, sand, scale, etc.

5.4. The flanges on the pipeline shall be installed without misalignment. The pipeline shall be secured and fully unloaded by the time of installation of the gate valve.

5.5. Before starting up the system with installed gate valves immediately after installation, all gate valves shall be opened and the pipelines shall be flushed.

5.6 Tightness tests shall be carried out in accordance with the established procedure at the enterprise.

5.7. During operation it is necessary to carry out periodic inspections (routine work) within the terms established by the operating organization, depending on the operating modes of the system.

5.8 During inspection check: the general condition of the gate valve, the threaded part of the spindle, which should be lubricated, the condition of bolted connections, tightness of the gasket connection and gland seal.

5.9. To ensure labor safety it is strictly forbidden to perform works on defects elimination in the presence of working medium pressure in the pipeline.

5.10. It is not allowed to use wrenches larger in size than it is required for fasteners.



6. TRANSPORTATION AND STORAGE CONDITIONS

6.1. Transportation and storage conditions - in accordance with the procedure established at the enterprise.

6.2. Gate valves are transported in accordance with the procedure established at the enterprise and secured against possible movements with the wedge lowered to the stop. It is allowed to transport without packing in case of absence of shock loads.

6.3. Mechanical damage and contamination of internal surfaces of gate valves during transportation is not allowed.

6.4. Gate valves should be stored in dry warehouses, protected from direct sunlight and removed at least 1 m. from heat-emitting devices, as well as not exposed to oil, gasoline.

6.5. Passage openings should be closed with plugs.

6.6. Gate valves in long-term storage are subject to periodic inspection at least once a year. In case of violation of preservation make preservation again. Apply preservation lubricant on degreased clean and dry surface of parts. Degreasing should be performed with a clean rag soaked in gasoline.

7. UTILIZATION

7.1. The product is disposed of in accordance with the procedure established at the enterprise (remelting, burial, resale).

7.2. Before sending the valve for utilization, the residues of the working medium shall be removed from the valve. Methods of removal of the working medium and decontamination of the valve must be approved in accordance with the established procedure at the enterprise operating the valve.



8. WARRANTY OBLIGATIONS

8.1. Warranty period - 12 months from the date of commissioning, but not more than 18 months from the date of sale.

8.2. The warranty applies to equipment installed and used in accordance with the installation instructions and product specifications described in this data sheet.

8.3. The manufacturer guarantees compliance of the product with safety requirements, provided that the consumer complies with the rules of transport, storage, installation and operation.

8.4. The warranty covers all defects caused by the fault of the manufacturer.

8.5. The warranty does not apply:

- parts and materials of the product subject to wear and tear;
- for cases of damage caused by:
 - modifications to the original design of the product;
 - violation of general installation recommendations;
 - faults caused by improper maintenance and storage; improper operation and use of the equipment.

9. WARRANTY TERMS

9.1. Claims to the quality of the goods may be made during the warranty period.

9.2. Defective products are repaired or exchanged for new ones free of charge during the warranty period. ELEPHANT decides whether to replace or repair the product. The replaced product or its parts resulting from the repair shall become the property of 'ELEPHANT'.

9.3. Costs related to dismantling, installation and transport of the defective product during the warranty period shall not be reimbursed to the Buyer.

9.4. If the claim is unfounded, the Buyer shall pay the costs of diagnostics and expertise of the product.

9.5. Products are accepted for warranty repair (as well as for return) fully assembled.



WARRANTY CARD № _____

№	Product Name	Packs

Name and address of the trading organisation _____

Date of sale _____ Seller's signature _____

Stamp or seal of the trading organisation _____ Acceptance stamp _____

I agree with the terms and conditions of the warranty:

Buyer _____ (signature)

Warranty period - 12 months from the date of commissioning, but not more than 18 months from the date of sale.

For warranty repairs, complaints and product quality claims, please contact ELEPHANT at: Carrer d'Aragó,264,3-1,08007 Barcelona, Spain. E-mail address: sales@valveelephant.com.

When making a complaint about the quality of goods, the buyer shall present the following documents:

1. A free-form application, which shall specify:
 - name of the organisation or full name of the buyer, actual address, contact telephone numbers;
 - name and address of the organisation that carried out the installation;
 - basic parameters of the system in which the product was used;
 - a brief description of the defect.
2. Document confirming the purchase of the product (delivery note, receipt)..
3. Act of hydraulic test of the system in which the product was installed.
4. This completed warranty card.

A note on the return or exchange of goods _____

Date: « __ » _____ 202__yr. Caption _____

